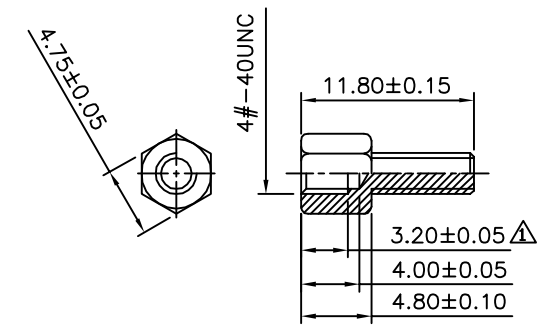
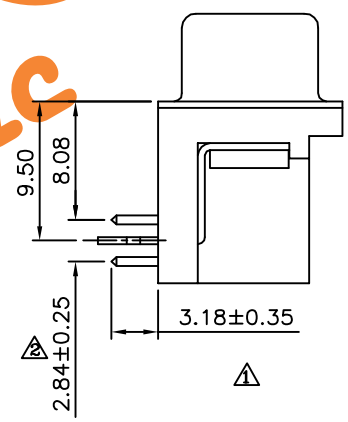
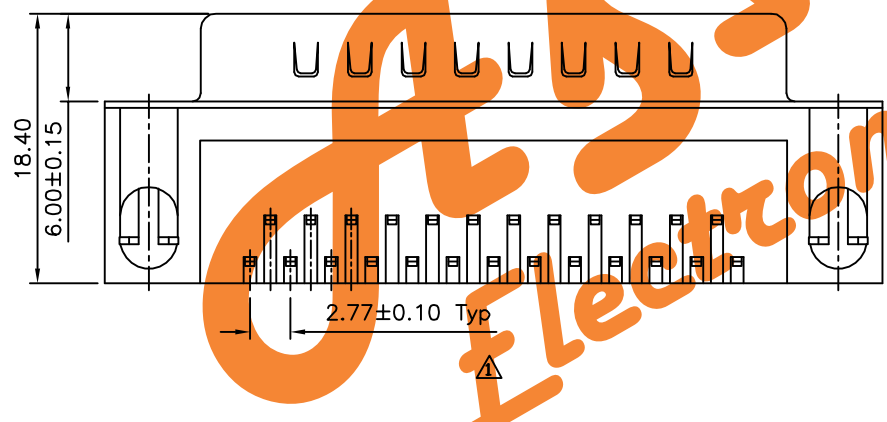
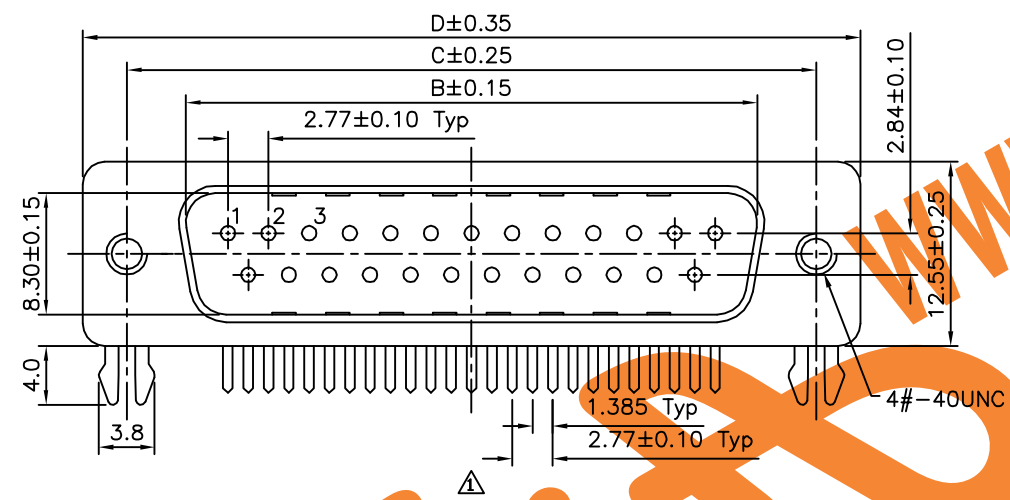


△ Recommended P.C.B. Layout



△ Pin	B	C	D
09	16.92	24.99	30.81
15	25.25	33.32	39.20
25	38.96	47.04	53.04
37	55.42	63.50	69.40

**△ SPECIFICATION**  
 Current Rating: 5 Amps  
 Withstanding Voltage: 1000V(One Minute)  
 Contact Resistance: 20 Milliohms Max.  
 Insulation Resistance: 1000 Megaohms Min.  
 At 500V DC  
 Operating Temperature: -50°C~+105°C  
 Shell: SPCC, Nickel Plated  
 Insulator: PBT+30%G.F.(UL94V-0)  
 Contact: Brass, Gold Flash On Contact Area, Tin Plated On Solder Tail, Under Nickel  
 Z Flake: SPCC, Tin Plated  
 Rivet: Copper Alloy, Nickel Plated  
 Screw: 12L14, Nickel Plated  
 RoHS Compliant

**AsA Electronic**  
 WWW.AsA-Elec.com  
 AsA Electronic Co.  
 Tel : (+98) 21 66 73 56 82 Mob : (+98) 912 03 161 02

DRAWING No.		APPROVED BY		UNLESS OTHERWISE SPECIFIED TOLERANCES ARE △.X ±0.38 .X* ±3* .XX ±0.25 .XX* ±1* .XXX ±0.05 .XXX* ±0.5*
18603		MEI		
		CHECKED BY	HZF	
		DRAWING BY	WSS	
SCALE	NONE	REV.	A2	UNIT mm

NO.	REV.	REVISIONS	CHK	DATE
△ A2		Modify Data	HZF	10/28/2011
△ A1		Modify Data	HZF	04/26/2011
△ A0		NEW RELEASE	HZF	11/28/2006